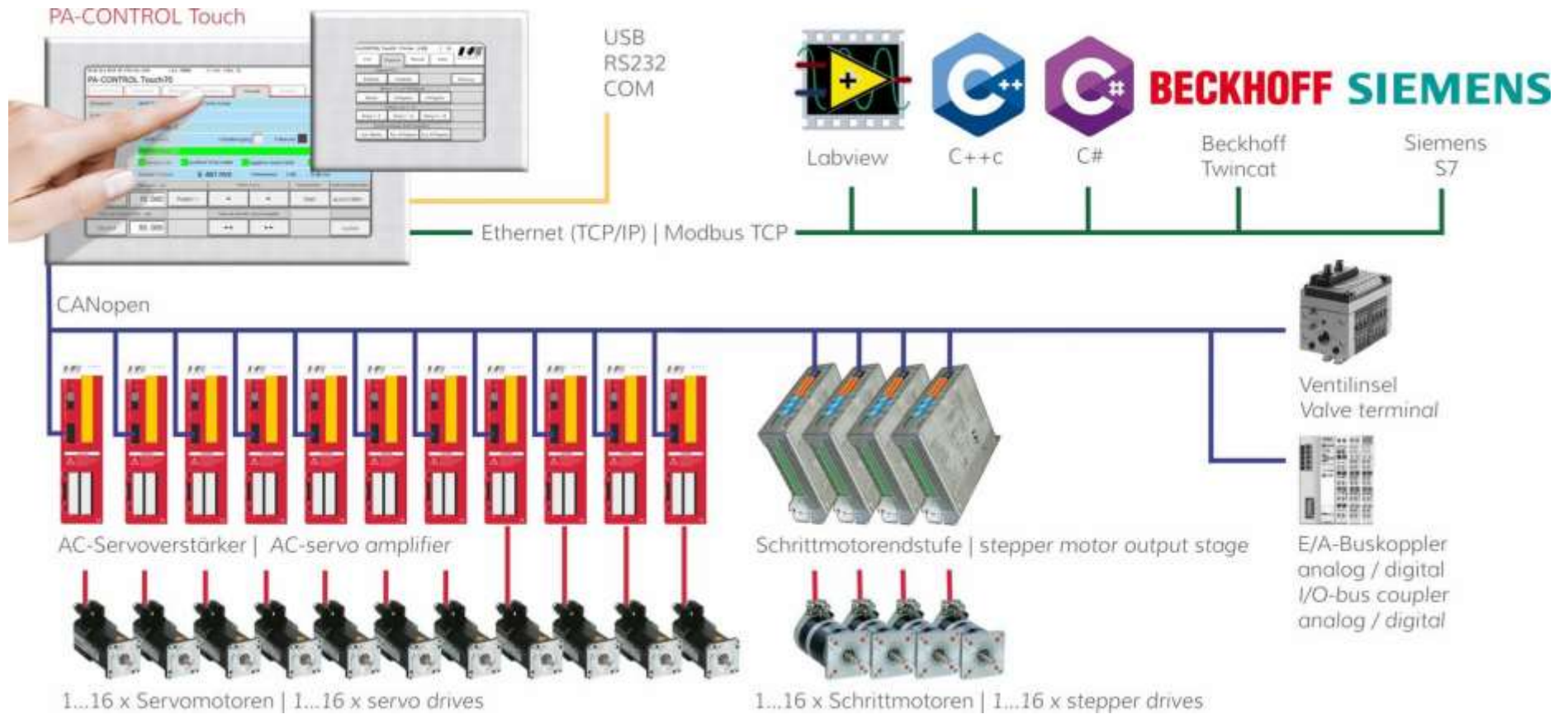


# PA-CONTROL Touch



## Features

- 47 parallel programmes with subprogramme technology
- freely programmable graphical user interface

- generation and integration of own graphics
- language-independent illustration by symbols
- quick overview of process conditions
- diverse diagnosis options
- simple remote diagnosis
- combines the benefits of an NC control with those of a PLC

## Technical data

PA-CONTROL Touch	35	70	105
display type	TFT LED backlight colour	TFT LED backlight colour	TFT LED backlight colour
display size	3.5"	7"	10.4"
resolution	320 x 240	800 x 480	800 x 600
reading angle	V=130° / H=150°	V=130° / H=140°	V=110° / H=140°
colours that can be displayed	256 (Graustufen)	65.535	65.535
display area	76.8 x 57.6 mm	152.4 x 91.4 mm	211.2 x 158.4 mm
front plate size (W x H x D)	120 x 90 x 5 mm	203 x 147 x 5 mm	295 x 220 x 5 mm
assembly cutout	112 x 82 mm	195 x 139 mm	287 x 212 mm
installation depth	47 mm	54 mm	61 mm
connection voltage	24VDC/0,3A/7,2W	24VDC/0,7A/16,8W	24VDC/0,7A/16,8W

flash memory	64 MB	1000 MB	1000 MB
SD-RAM	128 MB	128 MB	128 MB
S-RAM battery-buffered	512 kB	1000 kB	1000 kB
approval	CE, UL, cUL	CE, UL, cUL	CE, UL, cUL
protection type front side	IP65	IP65	IP65
protection type rear	IP20	IP20	IP20
ambience temperature	0°C - 50°C	0°C - 50°C	0°C - 50°C
humidity (non-condensing)	20 - 85%	20 - 85%	20 - 85%
operating system	Windows CE 5.0	Windows CE 5.0	Windows CE 5.0
interfaces	Ethernet / CANopen / 2 x USB	Ethernet / CANopen / 2 x USB	Ethernet / CANopen / 2 x USB

## Options

axes	1-16 via CANopen
I/Os digital	5120 E / 5120 A
inputs analogue	64
outputs analogue	64

---

RS232-interfaces

4

---

counter

32