



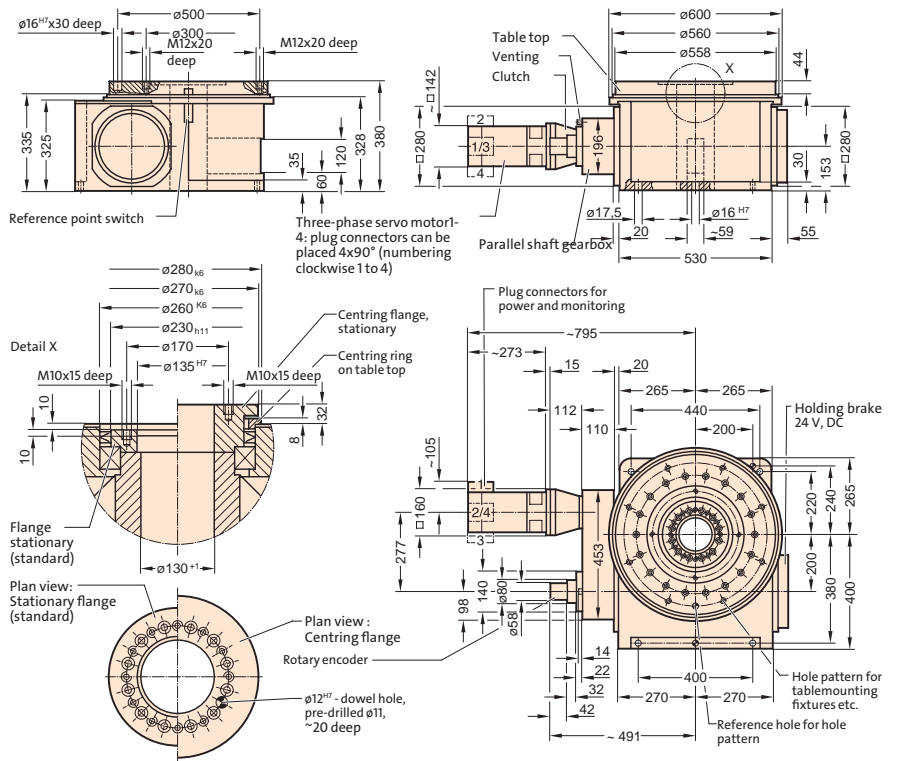
FIBROTOR EM.NC.17.0558.7.111.00.0.0.3



FIBROTOR EM.NC.17.0558.7.111.00.0.0.3

## Installed dimensions FIBROTOR® EM.NC.17

(Drive arrangement 111, for other drive arrangement, drawings or CAD-datas are available)



## Technical data FIBROTOR® EM.NC.17 **Encoding** EM.NC.17 . [ ] . [ ] . [ ] . [ ] . [ ] . [ ] . [ ]

<b>Table top dimensions</b>	Standard dimensions Strengthened table top bearing Table top lock Built-in version	Ø 558 mm Ø 480 mm Ø 548 mm Ø 558 mm	.0558 .0480 .0548 .0558	②
<b>Drive motor</b>	Standard brake motor AC servomotor Special version Without motor		.1 .7 .9 .0	③
<b>Drive arrangement</b>	See planning documents under <a href="http://www.fibrotor.de/downloads">www.fibrotor.de/downloads</a>		.XXX	④
<b>Division</b>	NC - can be positioned arbitrarily		.00	⑤
<b>Additional assemblies</b>	Without additional modules		.0	⑥
	Strengthened table top bearing		.1	
	Hydraulic table top lock		.2	
	Built-in version Built-in version with mounting ring Vertical version Vertical version with base plate		.1 .2 .3 .4	⑦
<b>Indexing accuracy in arc seconds</b>	Centring ring Centring flange Centring ring and centring flange		.1 .2 .3	⑧
	Indirect measuring system Direct measuring system Measuring system at motor		± 30" ± 10" ± 50"	
	Indirect measuring system Direct measuring system Measuring system at motor		± 0,040 mm ± 0,014 mm ± 0,067 mm	
<b>Axial runout of Table top</b>	(relates to Ø 558 mm)		0,02 mm	
<b>Concentricity of the centre hole</b>	(relates to Ø 260 mm)		0,02 mm	
<b>Plane parallelism of table top to base on the housing</b>	(relates to Ø 558 mm)		0,04 mm	
<b>Direction of rotation</b>	CW - CCW rotation			
<b>Reduction ratio worm / roller gearing</b>			i = 12	

## Technical data FIBROTOR® EM.NC.17

<b>RPM at table top</b>		$n_{max.} = 15'/min$
<b>Centre hole</b>	With lateral opening in the housing	Ø 130 mm
<b>Working position</b>	Any, standard: Horizontal table top, (please specify other mounting positions when ordering)	
<b>Weight</b>		approx. 450 kg

## Indexing times FIBROTOR® EM.NC.17

Mass moment of inertia J in kgm <sup>2</sup>	150	225	300	600	1000	1500
Max. perm. table top speed $l'/min$	16	14	12	10	9	8
Acceleration time $t_a$ in s	0,3	0,3	0,4	0,4	0,5	0,6
Overall gear ratio reduction i	120,000	120,000	162,000	252,571	315,556	342,804
Motor speed n in $l'/min$	1920	1680	1944	2526	2840	2742
Motor torque required in Nm	22	22	18	18	14	12
Swivel time $t_s$ in s for						
360°	4,15	4,69	5,50	6,50	7,27	8,20
180°	2,28	2,54	3,00	3,50	3,93	4,45
90°	1,34	1,47	1,75	2,00	2,27	2,58
60°	1,03	1,11	1,33	1,50	1,71	1,95
45°	0,87	0,94	1,13	1,25	1,43	1,64
30°	0,71	0,76	0,92	1,00	1,16	1,33
20°	0,61	0,64	0,78	0,83	0,97	1,12
10°	0,50	0,52	0,64	0,67	0,79	0,91
5°	0,45	0,46	0,57	0,58	0,69	0,80

## Load data FIBROTOR® EM.NC.17

Perm. transport load	kg	5500	①
Horizontal table top	kg	1000	②
Vertical table top	kg	1000	
Table top, upside down	kg	1000	
Perm. add-on diameter	mm	2800	③
Perm. axial loading on the table top	N	70000	④
Horizontal	N	12000	⑤
Vertical	N	25000	⑥
Perm. radial loading on table top	N	25000	⑥
Perm. tilting moment on positioned table top	Nm	12000	⑦
Horizontal	Nm	36000	⑦
With strenghtened table top bearing	Nm	5000	⑧
Vertical	Nm	15000	⑦
With strenghtened table top bearing	Nm	3000	
Upside-down	Nm	3000	
Perm. tilting moment on rotating table top	Nm	4000	⑦+⑧
With strenghtened table top bearing	Nm	12000	
Upside-down	Nm	1100	
Perm. tangential moment on positioned table top, from machining force and in vertical position additionally from eccentric transport load	Nm	700	⑨
With hydraulic table top lock	Nm	2500	⑨

