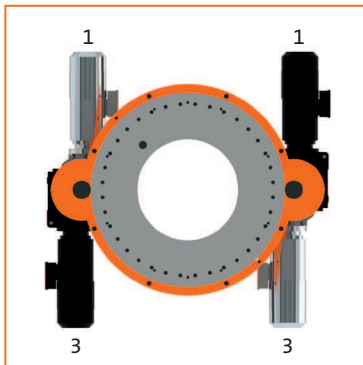


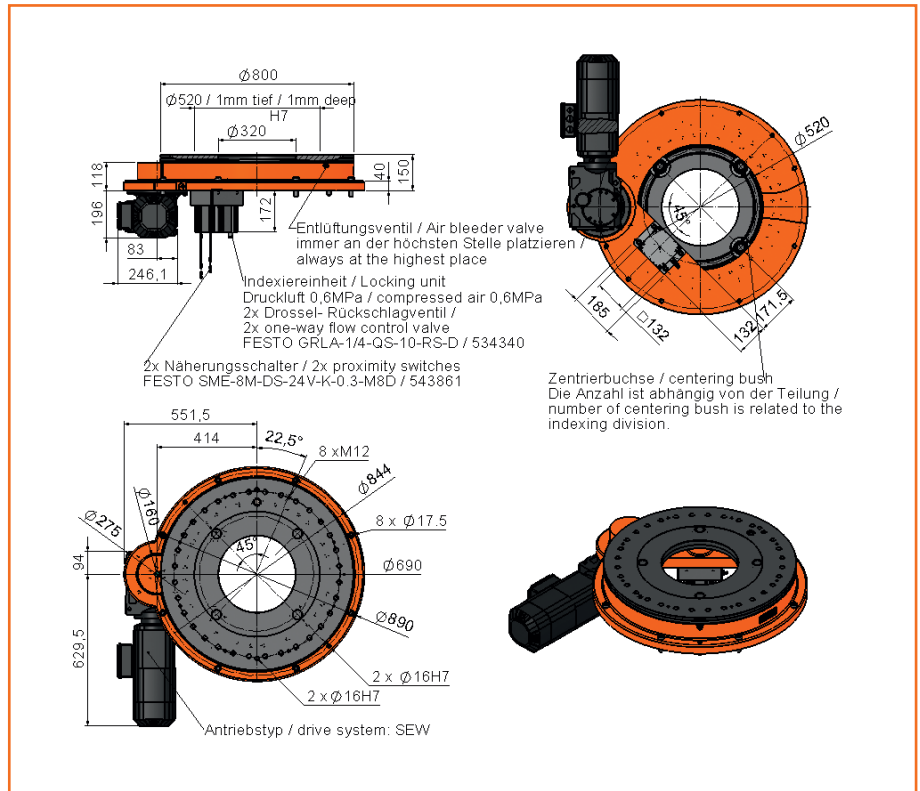
FIBROMAT AT.0800
Drive arrangement 10, 20, 30, 40



FIBROMAT AT.0800
Drive arrangement 11, 13, 31, 33

Dimensions of FIBROMAT® AT.0800

(Drive arrangement 180° with one drive; for other drive arrangements, diagrams or CAD data are available)



Technical data for FIBROMAT® AT.0800

Coding

AT.0800

Table top dimension	$\varnothing 800$ mm		
Drive motor	1 drive without motor 1 drive with motor 1 drive with motor 1 drive with motor 2 drives without motor 2 drives with motor 2 drives with motor 2 drives with motor	Gearbox prepared for motor according to customer SEW asynchronous servo gear motor KF57/R DRL 90L4BE2/TF/AS7W/Z SIEMENS Motor 1FK7100-5AF71-1EH0 Special motor Gearboxes prepared for motors according to customer SEW asynchronous servo gear motor KF57/R DRL 90L4BE2/TF/AS7W/Z SIEMENS Motor 1FK7100-5AF71-1EH0 Special motor	.10 .11 .12 .19 .20 .21 .22 .29
Drive arrangement	See pictures above Special design		.XX .99
Divisions Any, maximum 16	Without indexing unit With indexing unit for division XX, symmetrical arrangement Special division		.00 .XX .99
Centre hole	$\varnothing 320$ mm Extended by 200 mm (not combinable with standard indexing unit) Special design		.0 .1 .9
Measuring system	Measuring system on motor With additional direct measuring system (mounted in standard centre hole) With measuring system in special design		.0 .1 .9
Direction of rotation	Any		
Mounting position	Any, standard table top: horizontal (Please state other mounting positions when ordering)		
Indexing and repeat accuracy	Indexing accuracy	Repeat accuracy	
No indexing, one drive	$\pm 315''$	$\pm 160''$	
No indexing, two drives	$\pm 65''$	$\pm 35''$	
With indexing, one drive	$\pm 28''$	$\pm 14''$	
With two drives, with measuring system	$\pm 10''$	$\pm 5''$	

Technical data for FIBROMAT® AT.0800

Maximum axial runout of the table top	0.05 mm		
Maximum runout of the centre hole	0.05 mm		
Weight	FIBROMAT AT.0800	350 kg	
	Gear motor	53 kg	
	Indexing unit	25 kg	

Indexing times for FIBROMAT® AT.0800

AT.0800 with one drive								
45°	t _s in s	2.7	2.4	2.1	1.9	1.7	1.3	1.0
	J in kgm ²	8,000	6,000	4,000	3,000	2,000	1,000	500
90°	t _s in s	3.8	3.4	3.1	2.9	2.5	1.9	1.6
	J in kgm ²	8,000	6,000	4,000	3,000	2,000	1,000	500
180°	t _s in s	5.7	5.3	4.8	4.2	3.6	3.1	2.8
	J in kgm ²	8,000	6,000	4,000	3,000	2,000	1,000	500

AT.0800 with two drives								
45°	t _s in s	1.8	1.6	1.5	1.4	1.1	0.9	0.8
	J in kgm ²	8,000	6,000	4,000	3,000	2,000	1,000	500
90°	t _s in s	2.8	2.6	2.2	1.9	1.7	1.5	1.3
	J in kgm ²	8,000	6,000	4,000	3,000	2,000	1,000	500
180°	t _s in s	4.6	4.5	3.4	3.1	2.9	2.6	2.5
	J in kgm ²	8,000	6,000	4,000	3,000	2,000	1,000	500



The specified switching times do not include: Regulation time of 0.1 sec, indexing time of 0.3 sec. Further angels and indexing times can be calculated for you.

Load data for FIBROMAT® AT.0800

Perm. transport load on table top horizontal	10.000 kg
Perm. superstructure diameter	4.500 mm
Perm. force vertically on rotating table top	141.000 N
Perm. radial force on the rotating table top	56.000 N
Perm. tilting moment on rotating table top	35.000 Nm
Perm. tangential moment on table top (dynamic)	6.500 Nm

We would be pleased to provide a calculation of combined load data for your specific application.

Additional options for FIBROMAT® AT.0800

Drive unit Asynchronous motor (standard)		Indexing unit	
Drive unit Synchronous servomotor		Machine stands Height: 397 mm	
Drive inverter		Additional table top	

CAD data, technical data and planning documentation can be downloaded from www.fibro.com.