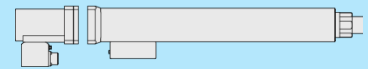


QMP 100 series

A) QMP 100 basic version 1) with 200 mm, 2) with 300 mm, 3) with 500 mm stroke



Type	Stroke mm	Max. speed mm/s	Article number
QMP 100 / XX 200 00 XX 00 00	200	200	QMP-1003002
QMP 100 / XX 300 00 XX 00 00	300	200	QMP-1003003
QMP 100 / XX 500 00 XX 00 00	500	200	QMP-1003005

Resolution length (stroke) measurement 0,003 mm, length (stroke) repeat accuracy 0,01 mm by about 20 mm/s

B) QMP 100 execution force sensor 30 kN / 40 kN / 50 kN / 60 kN



Type	Max. Force kN	Application area kN	Article number
Force sensor 30 kN for QMP 100	30	6 - 30	QMP-1000030
Force sensor 40 kN for QMP 100	40	8 - 40	QMP-1000040
Force sensor 50 kN for QMP 100	50	10 - 50	QMP-1000050
Force sensor 60 kN for QMP 100	60	12 - 60	QMP-1000060

Force accuracy 0,5 %

C) QMP 100 execution of the press-in unit
Press / Pull / Press & Pull



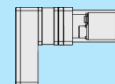
Type	Force measurement	Tool bracket	Article number
QMP 100 execution DR	in direction press	DIN810 A25, Ø25H7 50 deep	QMP-1001000
QMP 100 execution ZU	in direction pull	M24 x 1,5 55 deep	QMP-1001005
QMP 100 execution DZ	in direction press and pull	M24 x 1,5 55 deep	QMP-1001010

D) Motor force-hold-brake



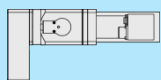
Type	Article number
Motor force-hold-brake MHB	QMP-

E) Motor offset



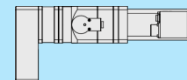
Type	Article number
Motor offset V2	QMP-1003105

F) Forc-hold-brake



Type	Article number
Force-hold-brake HB	QMP-1003110

G) Backstop
Hold force



Type	Article number
RS-L (for QMP 100 with V2)	QMP-
RS-R (for QMP 100 without V2)	QMP-

Accessories

Type	Article number
Portal frame for QMP 100 (according to customer specification)	QMP-1008000
C-frame for QMP 100 (according to customer specification)	QMP-1008500

Cable

Cables for interconnection between press-in unit and control system

Type	Cable length	Article number
Cable set DS80 / QMP100/140 / SMP500 DSP05	5 m	MK-1009005
Cable set DS80 / QMP100/140 / SMP500 DSP10	10 m	MK-1009010
Cable set DS80 / QMP100/140 / SMP500 DSP15	15 m	MK-1009015
Cable set DS80 / QMP100/140 / SMP500 DSP05 - with shielding	5 m	MK-1009105
Cable set DS80 / QMP100/140 / SMP500 DSP10 - with shielding	10 m	MK-1009110
Cable set DS80 / QMP100/140 / SMP500 DSP15 - with shielding	15 m	MK-1009115

Maintenance accessories

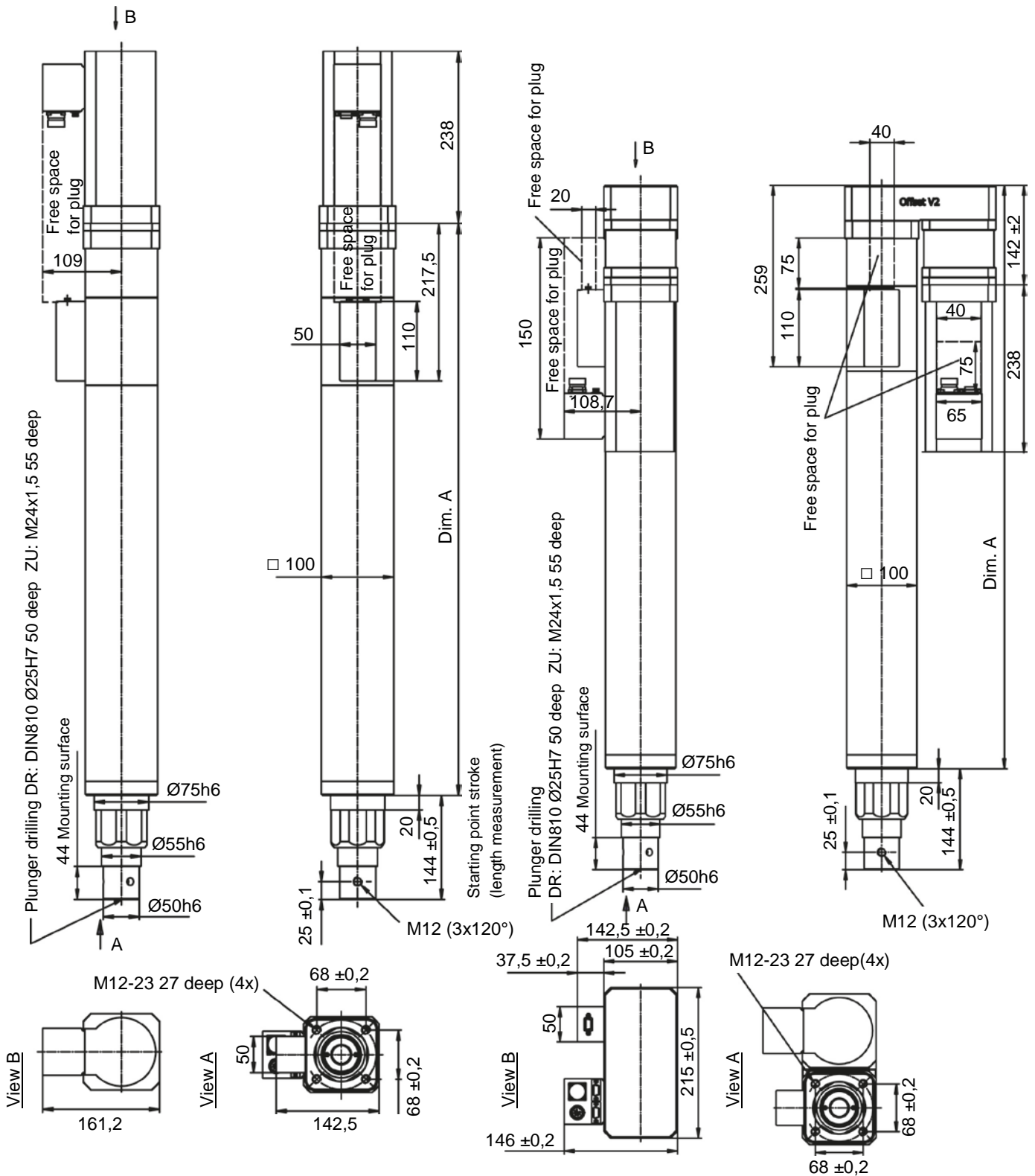
QMP / SMP Service package

Type	Article number
Lubrication set (grease gun, armoured hose, grease cartridge and lubrication tube set)	DSM-281990

Technical drawings QMP 100 series

QMP 100 /30/40/50 Motor mounted vertical

QMP 100 /30/40/50 V2 (Motor offset)

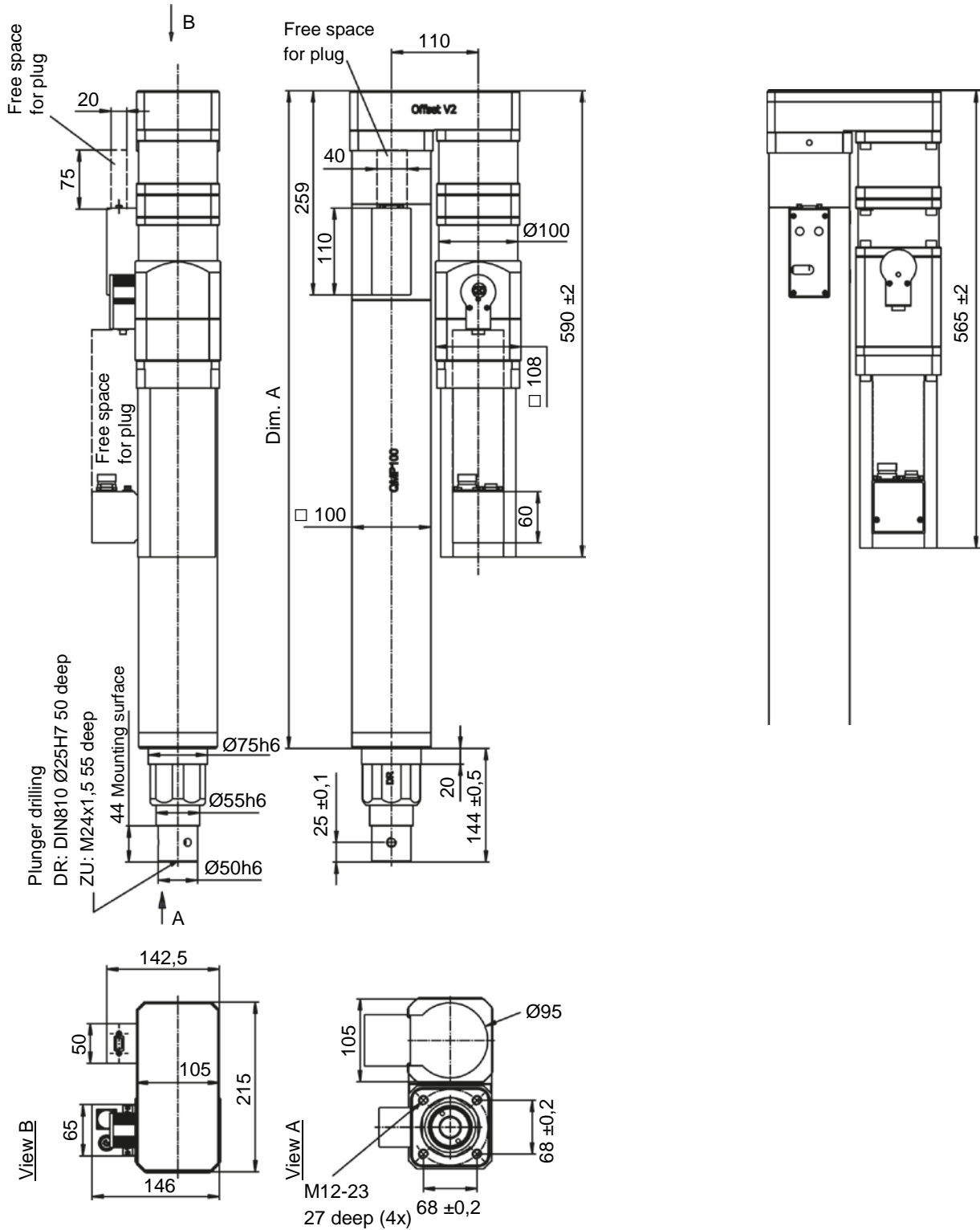


Type	A mm
QMP 100 /30/40/50	
QMP 100 200 mm stroke	792 ±2
QMP 100 300 mm stroke	892 ±2
QMP 100 500 mm stroke	1092 ±2

Typ	A mm
QMP 100 V2 /30/40/50	
QMP 100 V2 200 mm stroke	833 ±2
QMP 100 V2 300 mm stroke	933 ±3
QMP 100 V2 500 mm stroke	1133 ±3

QMP 100 /30/40/50 Backstop (hold force)

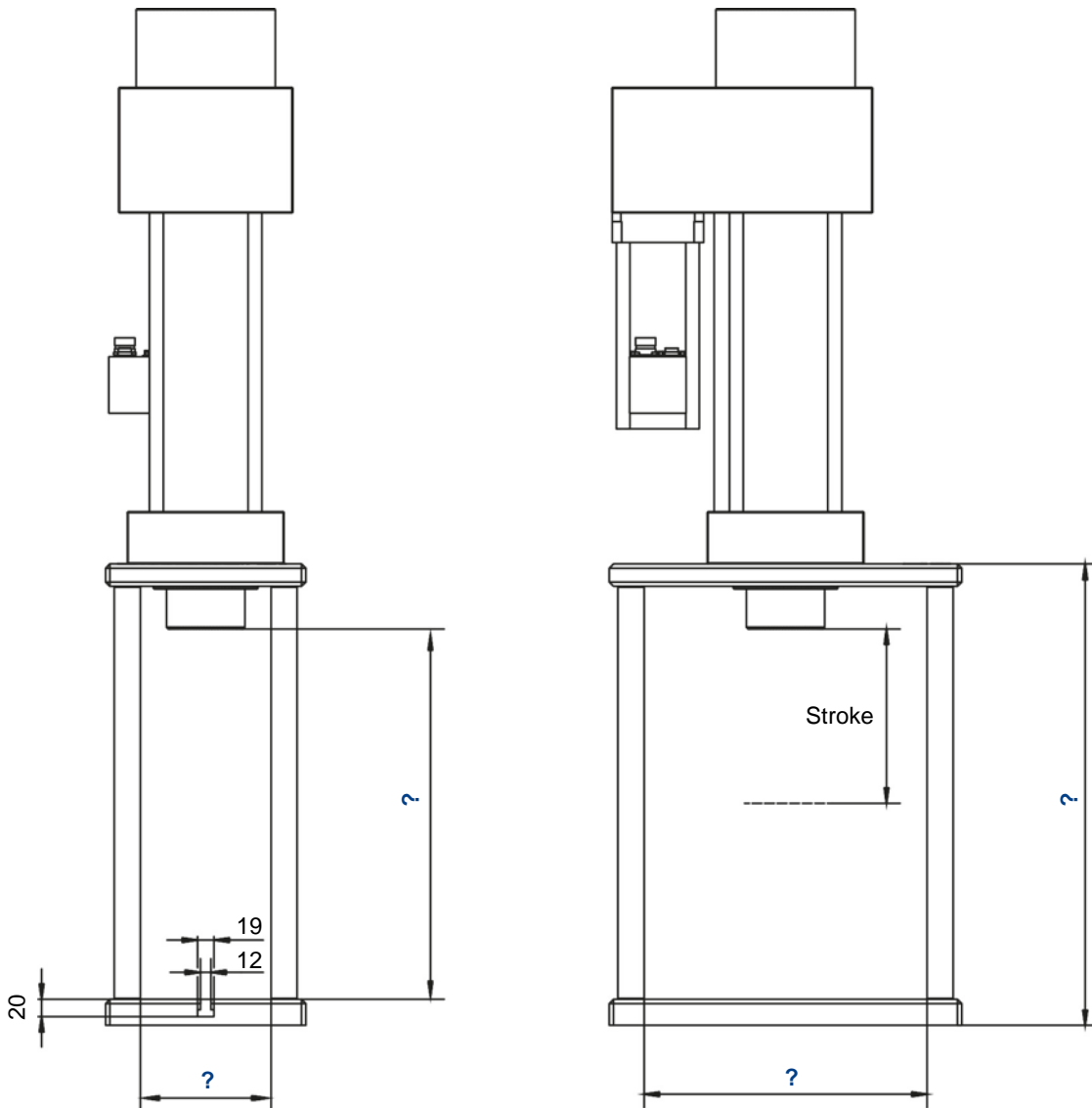
QMP 100 /30/40/50 Force-hold-break



Type	A mm
	/30/40/50
QMP 100 V2 RS 200 mm stroke	833 ±2
QMP 100 V2 RS 300 mm stroke	933 ±3
QMP 100 V2 RS 500 mm stroke	1133 ±3

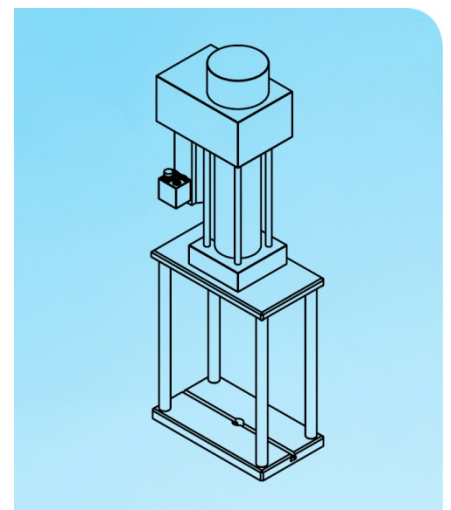
Portal frame

for press-in units of the QMP/SMP series



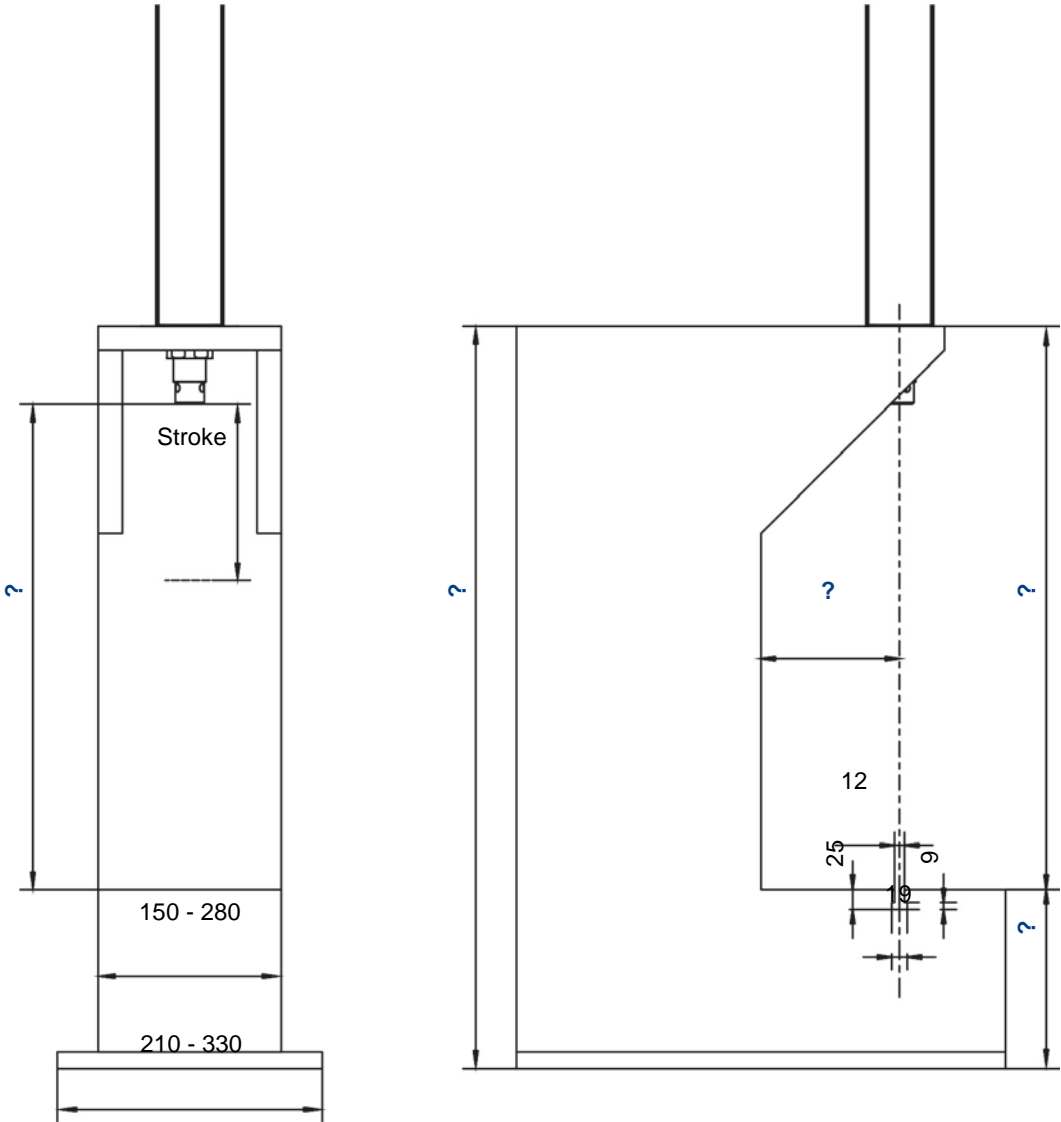
Portal frame, manufactured acc. to customers specification. Depending on the selected press, the dimensions marked with a question mark, can be defined individually.

Please gather dimensions of the press-in unit from the corresponding drawing.



C-frame

for press-in units of the QMP/SMP series



C-frame, manufactured acc. to customers specification. Depending on the selected press, the dimensions marked with a question mark, can be defined individually.

Please gather dimensions of the press-in unit from the corresponding drawing.

